



TEAKWOOD
Oval Pool Installation
Hints & Tips

INTRODUCTION

Thank you for choosing the Teakwood pool from Wilbar/Vogue. We trust you will have many happy years of pleasure and enjoyment from your investment.

Although the instructions are very detailed we have incurred a number of queries regarding the bottom and top rail identification/positions. Therefore, we have produced a number of photographs and drawings that maybe of assistance/clarification.

PRIOR TO INSTALLATION - please read the instruction manual **thoroughly and check all parts** and contact your dealer immediately should any items be missing.

The installation manual that is supplied with your swimming pool refers to two types of support bracing 'Buttress Free' & 'Traditional Buttress'. **All pools supplied in the United Kingdom are BUTTRESS FREE.** Please ignore all references to 'traditional buttress'.

Your pool supplier will always be ready to offer advice and assistance should you have a query. To ensure your pool is always ready for use please take a little time now to familiarise yourself with the equipment.



DISCLAIMER

Paramount Pools Ltd / Pool Dealer are happy to give these instructions, guidance notes and additional telephone advice on a wide variety of situations and problems relating to swimming pool maintenance and water chemistry.

Irrespective of whether this advice is free, or a charge has been made, it must be understood this advice is 'general' and given in good faith without liability being neither expressed nor implied. No claims will be entertained in the event of a incorrect installation or wrong diagnosis.

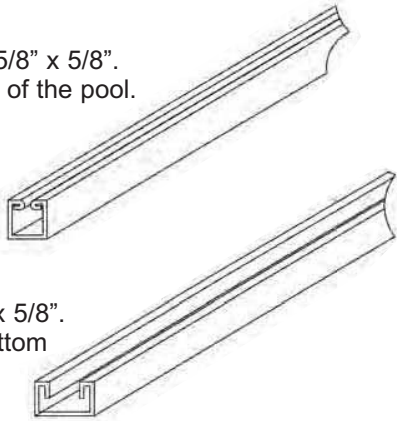
Manufacturers have the right to modify their products without prior notice so long as the design characteristics are not changed. Wall patterns and colours may vary. Vogue pool products reserves the right to modify and/or discontinue without notification any feature in any pool model.

STEP 9 - BOTTOM RAIL ASSEMBLY:

When you unpacked the bottom rails you should have noticed the three different size rails (except if you have a 12' x 17' pool, in which case you only have two different size rails.) Some of the rails are 37 1/2" long, some are 39" long, and the rest of the rails are longer but the exact measurement depends on which size pool you have. It is very important to separate rails by size now.

Inner Stabilizer 5/8" x 5/8".
Used on the top of the pool.

Fig. 30



Bottom Rail 1" x 5/8".
Used on the bottom of the pool.

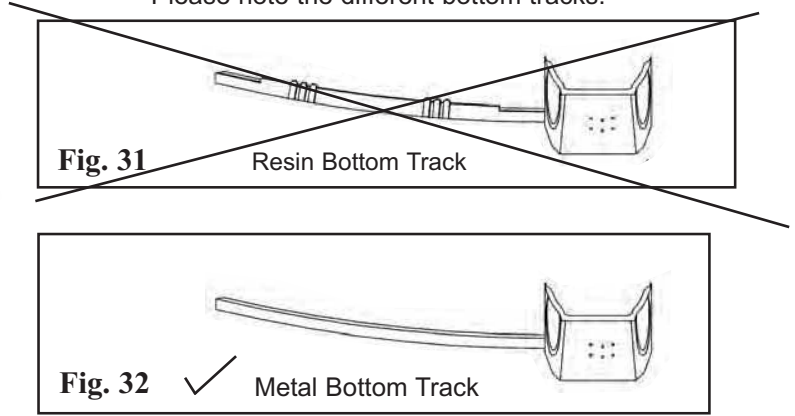
Please note the different bottom tracks.

Fig. 31

Resin Bottom Track

Fig. 32

✓ Metal Bottom Track



***IMPORTANT:** Make sure you are using the bottom rails and not the inner stabilizer bars. ~~The bottom rails on some pool models are made of resin and not metal (see Fig. 31 and Fig. 32).~~ The stabilizer bars are always metal and they have a male and female end. The bottom rails are the larger width rails that have the straight cuts on both ends. The bottom rails do not interlock (see Fig. 30).

- The 37 1/2" long bottom rails go in between the straight side uprights. You simply press them down inside the straight side bottom connector on each side. These rails will eventually need to be sitting flat on the ground, but you can do that as you are leveling the pool. **should be 40.25"**
- The four 39" bottom rails are for the "corners." One side snaps into the straight side connector on the final straight side upright, while the other side slides into a bottom plate or bottom cuff as shown in Fig. 33 or Fig. 34.
- You should have an even number of the longest bottom rails, as well as, an even number of bottom plates or bottom cuffs (depending on the model pool you have.) These will form the curved ends of your pool. Half of these rails and plates/cuffs will go on one end and the other half on the other end. Slide each rail into the plate, or cuff, up to the stop as shown. Be sure that the plate, or cuff, is outside of the half circle created on each side of the pool. Once all rails are assembled, you should now be able to see the entire shape of the oval pool on the ground.

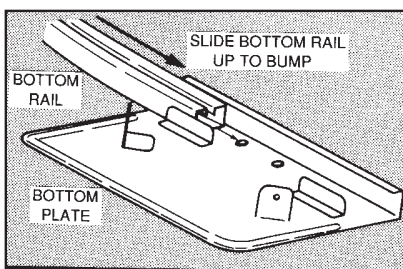
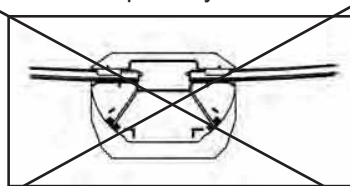


Fig. 33

The bottom rail is inserted up to the dimple only.



The bottom rail is inserted up to the dimple only.

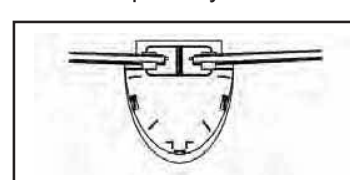


Fig. 34

Traditional Buttress

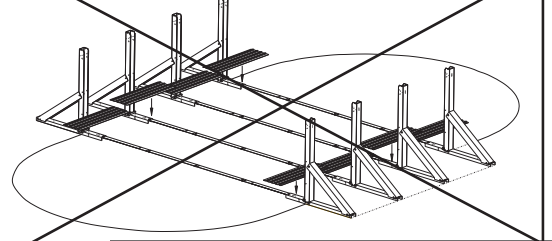


Fig. 35

Buttress-Free

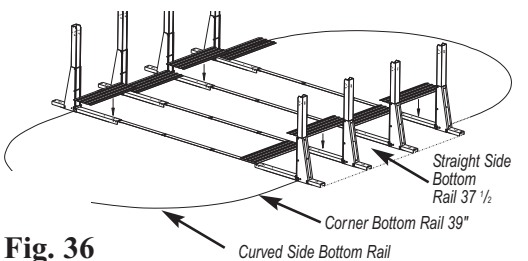


Fig. 36

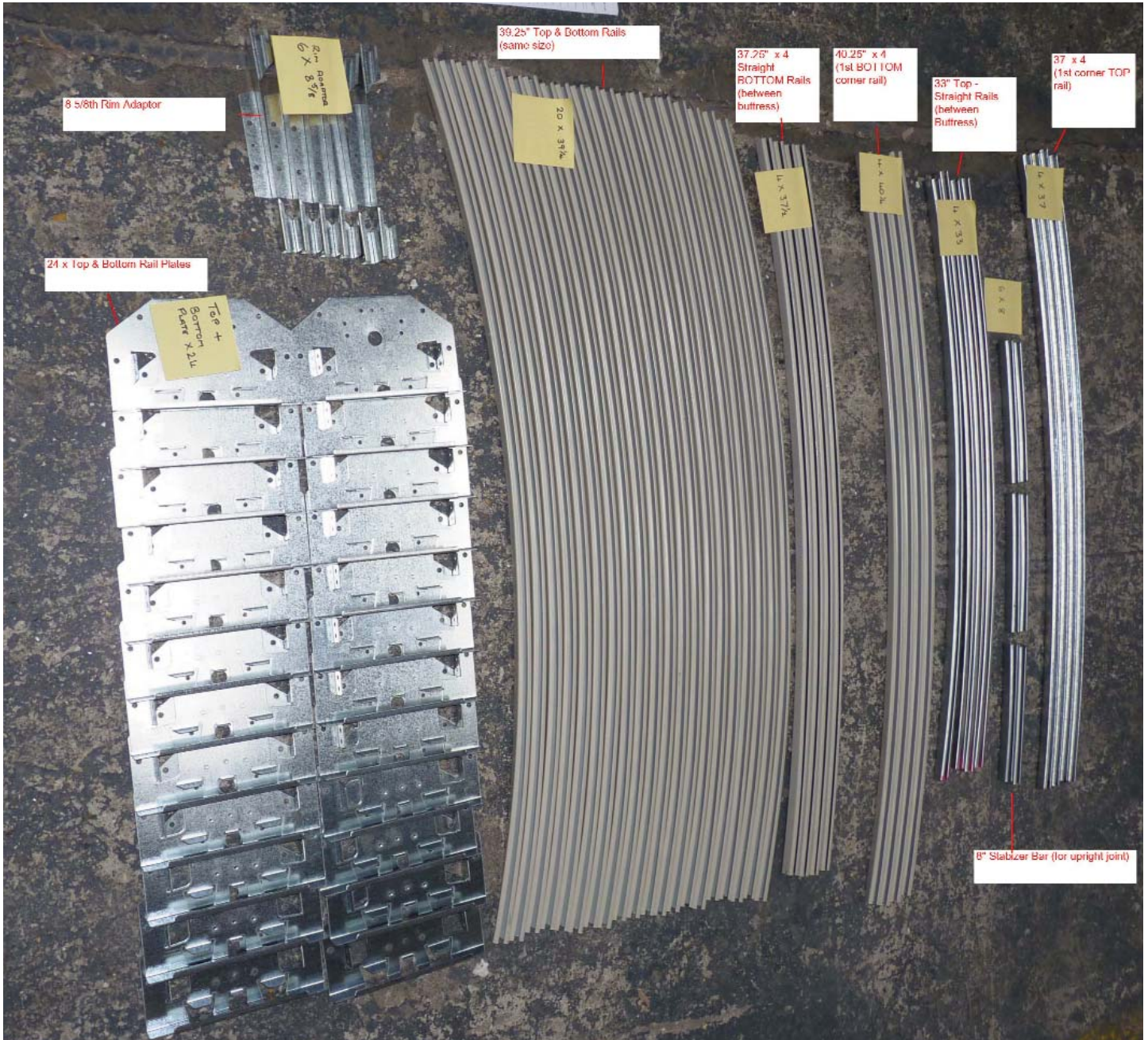
IMPORTANT: Some pools have resin bottom plates or resin bottom cuffs rather than the traditional metal bottom plate. Please refer to your pool parts breakdown sheet to confirm which component applies to you particular pool.

BOTTOM RAIL ASSEMBLY - Clarification

When rail box PSST1 is unpacked you will find the following

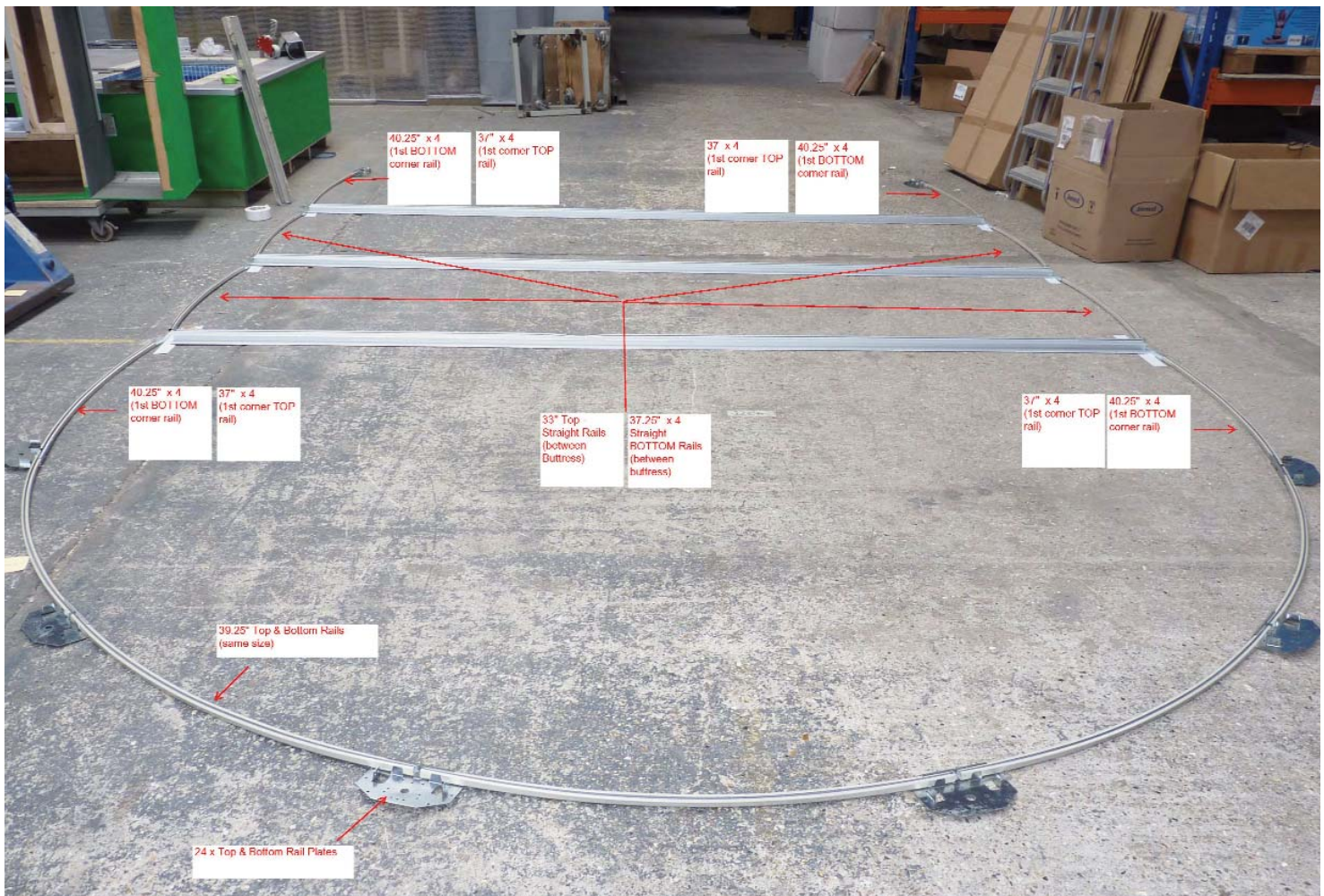
1. Two different size painted **bottom rails (37.5" and 40.25")**
2. Three different size steel **top rails (8", 33" and 37")**
3. An even number of painted (stabilizer) top and bottom rails - these attach directly onto the wall. The size depends on the pool you have.
4. Top and bottom plates for above.
5. Top rail straight joiners.

Below is an example of a 12' x 24' pool.



The 37.5" long bottom rails go in between the straight side uprights. You simply push them into the straight side bottom connector attached to the uprights previously built.

The four 40.25" are for the corners. One side pushes into the straight side connector on the final straight side connector, the other end pushes into the bottom plate.



16 x 10 Rail Packing List and Position

WILBAR
INTERNATIONAL

50 CABOT COURT
HAUPPAUGE, NEW YORK 11788 U.S.A.
Phone: 631.951.9800 Fax: 631.951.9170

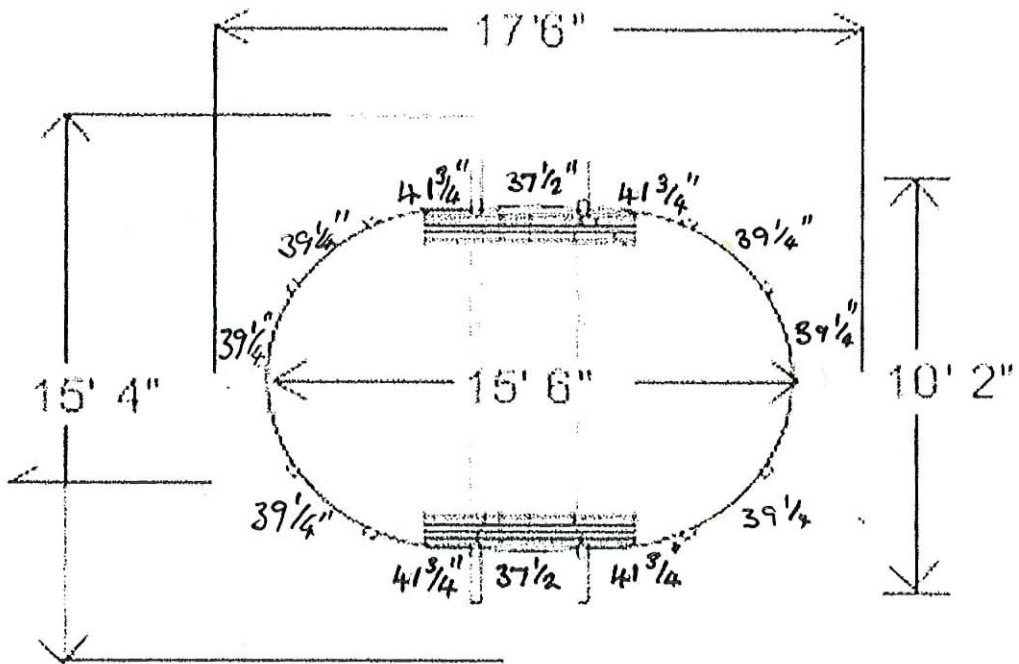
Page 1 of

CXBOR1016-PSST1

*BOREAL 1016 POOL COMPONENTS - MIXED OVAL
CURVED/STRAIGHT-SIDE*

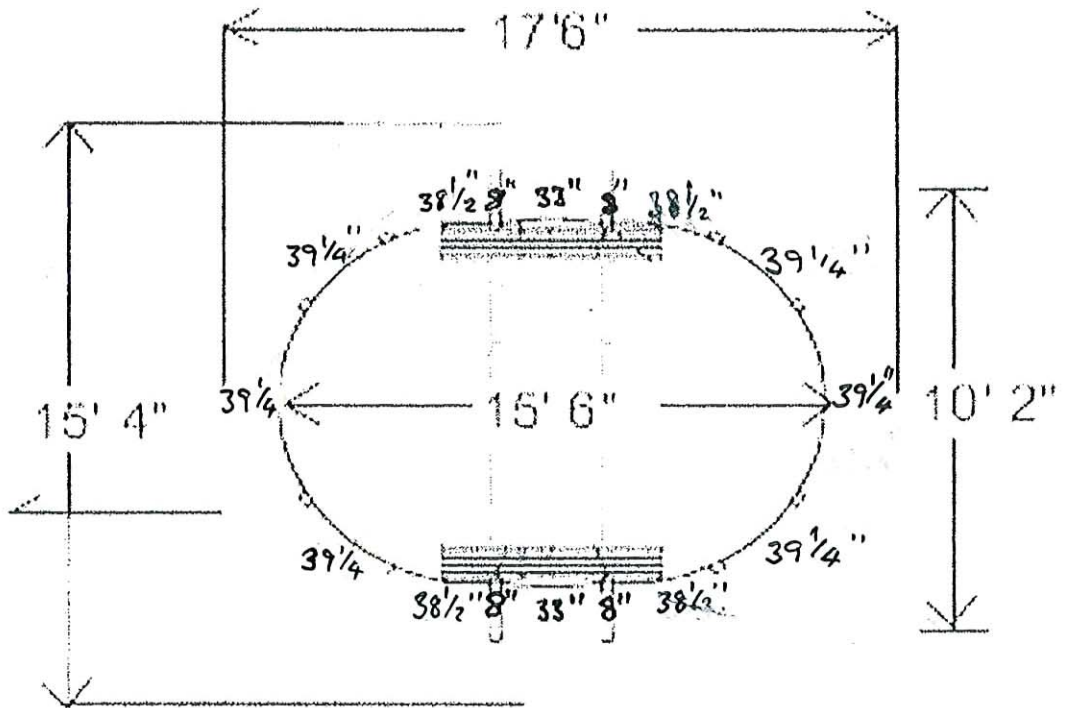
QC1	QC2	QUANTITY	PART #	DESCRIPTION
SA	R	1	35388	HDW YZ BOREAL 1220'
SA	SA	1	95-0007	ENVELOPES SAFETY COMPLETE
R	SA	16	35078	TOP / BOTTOM PLATE 6" BOREAL
R	SA	2	35097	ART 5/8" RIM PTD 9'0"R STR 37 1/2" <i>BOTTOM STRAIGHT BETWEEN UPRIGHTS</i>
SA	R	2	16798	STR MIDDLE STAB(NS)SQ STL 9'0"R 33" <i>TOP STRAIGHT</i>
SA	R	4	16799	STR CENTER STAB(NS)SQ STL 9'0"R 8" <i>TOP STRAIGHT ABOVE LEGS</i>
SA	SA	1	95-0444	INSTR. WRAP AROUND&YARDMORE BLANK OVAL
SA	R	4	22762	TOP PLATE 6" OVAL IND/HER
R	SA	4	35604	ART 5/8" RIM PTD 9'0"R 41 3/4" TRAN 1016 <i>BOTTOM CORNER</i>
SA	SA	12	34974	TC 7" BOREAL 1 PC CLIP CVD (LC50001)
SA	SA	12	10296	PLASTIC COPING SINGLE 48" FOR METAL STAB
SA	SA	12	36130	BOR 5/8" RIM PTD 5'6"R 39 1/4" <i>TOP + BOTTOM CURVE ENDS</i>
SA	R	4	10693	ART RIM 5/8" ADAPTER 8 5/8"
R	SA	4	35603	ART 5/8" RIM PTD 9'0"R 38 1/2" TRAN 1016 <i>TOP CORNER</i>
PACKAGING				
CA	X	1	97-0057T	CARTON-EMPTY(6" BAY/SW-RND T.R. CMN)T
CA	X	1	97-0057B	CARTON-EMPTY(6" BAY/SW-RND T.R. CMN)B

Bottom Rail



10 x 16

Tops Rail



10 x 16

20 x 12

Rail Packing List and Position

WILBAR
INTERNATIONAL

50 CABOT COURT
HAUPPAUGE, NEW YORK 11788 U.S.A.
Phone: 631.951.9800 Fax: 631.951.9170

Page 1 of 1

CXBOR1220-PSST1

*BOREAL 1220 POOL COMPONENTS - MIXED OVAL
CURVED/STRAIGHT-SIDE*

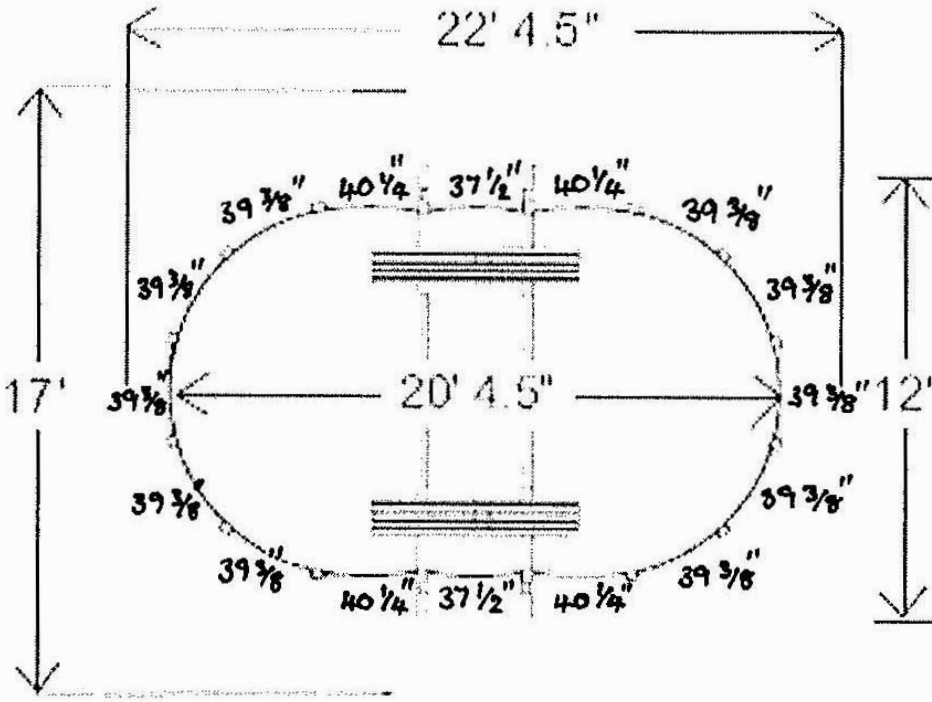
QC1	QC2	QUANTITY	PART #	DESCRIPTION
		1	95-0007	ENVELOPES SAFETY COMPLETE
		16	34974	TC 7" BOREAL 1 PC CLIP CVD (LC50001)
		1	95-0444	INSTR. WRAP AROUND&YARDMORE BLANK OVAL
		172	99-0043	SCREW #12X3/4 ZY PHIL TRUSS A
		48	99-0061	SCREW #10X3/4 ZY PHIL PAN SELFDRILLJ6000
		12	99-0046	M/S 5/16-18X1/2 ZY PHIL PAN
		20	99-0047	NUT HEX 5/16-18 ZY SERRATED FLANGE
		8	99-0024	BOLT HEX 5/16-18X4-1/2 18-8SS
		1	99-0094	HDW PRE-BAGED WALL ZY 99-0034/99-0038
		20	35338	ART 5/8" RIM PTD 6'0"R 39 3/8" <i>Bottom +TOP</i>
		4	35096	BOR 5/8" RIM PTD 9'0"R CRNR 40 1/4" <i>Bottom CORNER</i>
		2	35097	ART 5/8" RIM PTD 9'0"R STR 37 1/2" <i>Bottom OFF LEGS</i>
		4	22762	TOP PLATE 6" OVAL IND/HER
		2	16798	STR MIDDLE STAB(NS)SQ STL 9'0"R 33" <i>TOP</i>
		4	16799	STR CENTER STAB(NS)SQ STL 9'0"R 8" <i>TOP</i>
		4	16797	STR CORNER STAB(NS)SQ STL 9'0"R 37" <i>TOP</i>
		15	10296	PLASTIC COPING SINGLE 48" FOR METAL STAB
		24	35078	TOP / BOTTOM PLATE 6" BOREAL

PACKAGING

	X	1	97-0057B	CARTON-EMPTY(6" BAY/SW-RND T.R. CMN)B
	X	1	97-0057T	CARTON-EMPTY(6" BAY/SW-RND T.R. CMN)T
	X	1	95-0003	BAG HARDWARE 9X14X.004

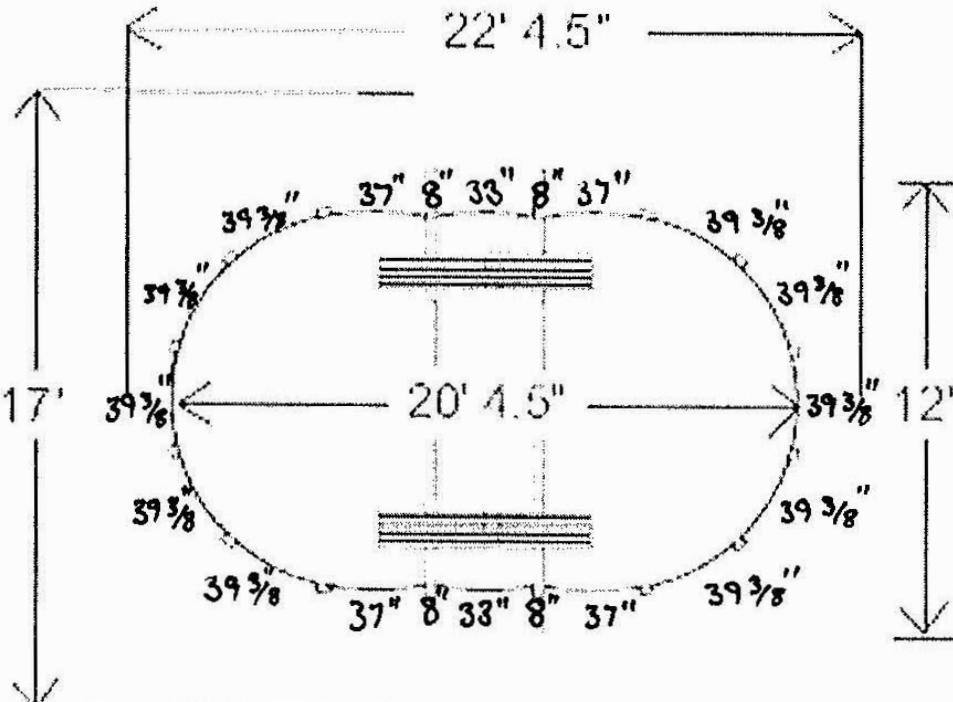
If any questions arise, please contact dealer where the pool was purchased.

Bottom Rail



12 x 20

Tops Rail



12 x 20

24 x 12

Rail Packing List and Position

WILBAR
INTERNATIONAL

50 CABOT COURT
HAUPPAUGE, NEW YORK 11788 U.S.A.
Phone: 631.951.9800 Fax: 631.951.9170

Page 1 of 1

CXBOR1224-PSST1

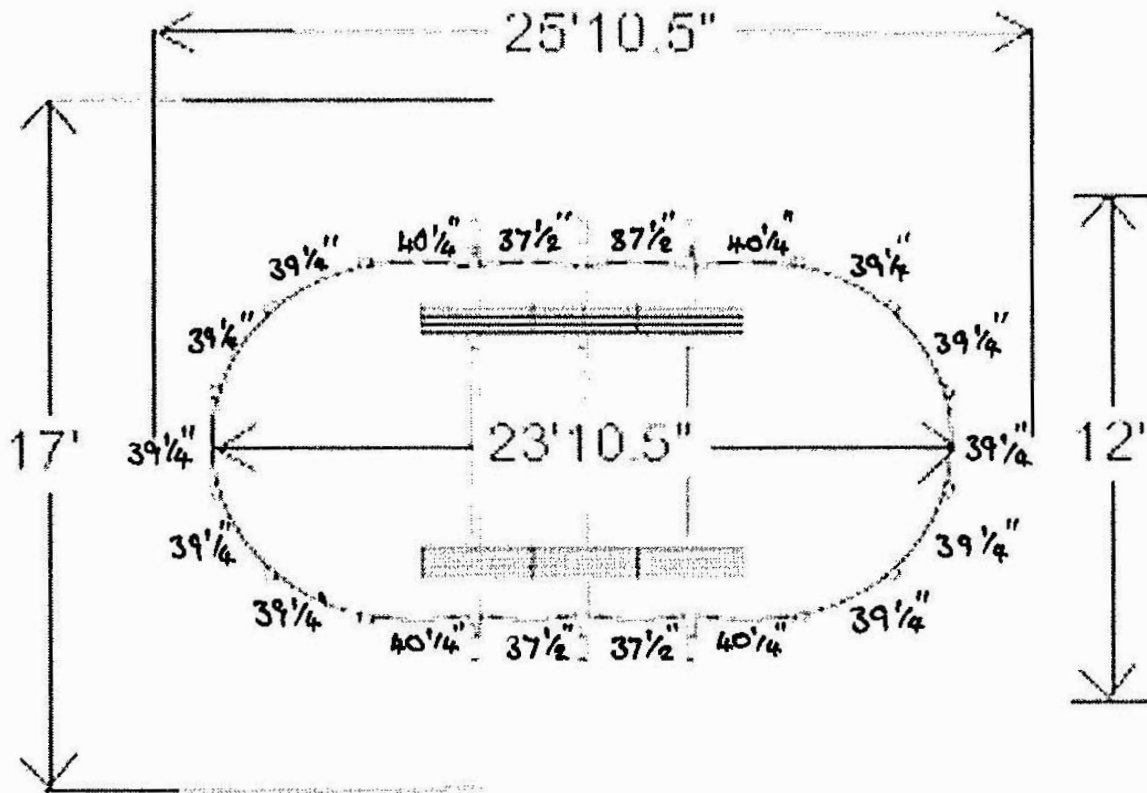
*BOREAL 1224 POOL COMPONENTS - MIXED OVAL
CURVED/STRAIGHT-SIDE*

QC1	QC2	QUANTITY	PART #	DESCRIPTION
		1	19220	HDW YZ FAR/MON/ELI/ETE 1224/1526
		1	95-0007	ENVELOPES SAFETY COMPLETE
		18	34974	TC 7" BOREAL 1 PC CLIP CVD (LC50001)
		1	95-0444	INSTR. WRAP AROUND&YARDMORE BLANK OVAL
		20	35088	BOR 5/8" RIM PTD 6'0"R 39 1/4" <i>BOTTOM +TOP</i>
		4	35097	ART 5/8" RIM PTD 9'0"R STR 37 1/2" <i>BOTTOM OF LEGS</i>
		4	35096	BOR 5/8" RIM PTD 9'0"R CRNR 40 1/4" <i>BOTTOM OFF LEGS</i>
		4	16798	STR MIDDLE STAB(NS)SQ STL 9'0"R 33" <i>TOP</i>
		6	16799	STR CENTER STAB(NS)SQ STL 9'0"R 8" <i>TOP</i>
		4	16797	STR CORNER STAB(NS)SQ STL 9'0"R 37" <i>TOP</i>
		24	35078	TOP / BOTTOM PLATE 6" BOREAL
		6	10136	TOP PLATE 4" OVAL
		16	10296	PLASTIC COPING SINGLE 48" FOR METAL STAB
		6	10693	ART RIM 5/8" ADAPTER 8 5/8"

PACKAGING

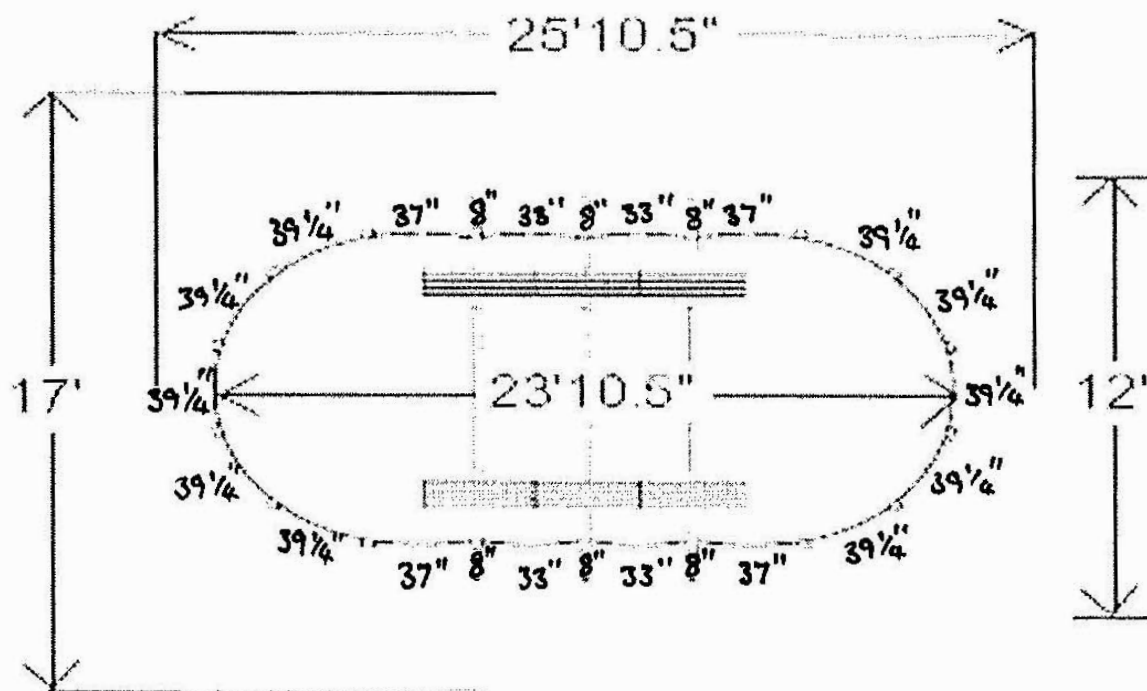
X	1	97-0057B	CARTON-EMPTY(6" BAY/SW-RND T.R. CMN)B
X	1	97-0057T	CARTON-EMPTY(6" BAY/SW-RND T.R. CMN)T

Bottom Rail



12 x 24

Tops Rail



12 x 24

30 x 15

Rail Packing List and Position

WILBAR
INTERNATIONAL

50 CABOT COURT
HAUPPAUGE, NEW YORK 11788 U.S.A.
Phone: 631.951.9800 Fax: 631.951.9170

Page 1 of 1

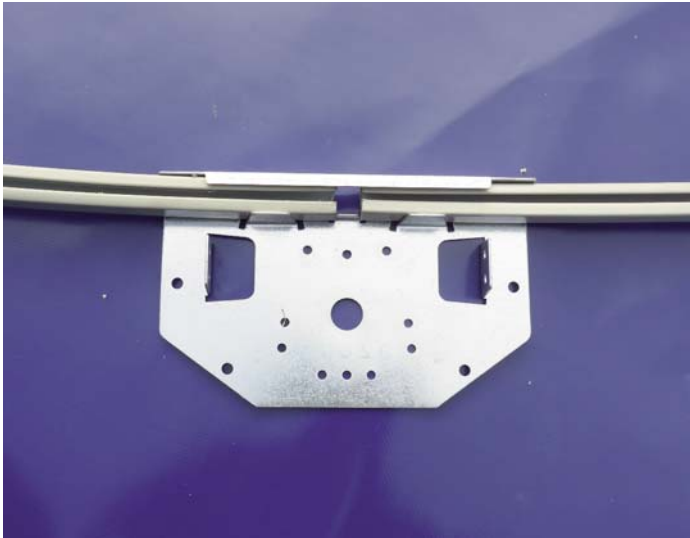
CXBOR1530-PSST1 *BOREAL 1530 POOL COMPONENTS - MIXED OVAL
CURVED/STRAIGHT-SIDE*

QC1	QC2	QUANTITY	PART #	DESCRIPTION
		1	19222	HDW YZ FAR/MON/ELI/ETE 1530/1833
		1	95-0007	ENVELOPES SAFETY COMPLETE
		20	34974	TC 7" BOREAL 1 PC CLIP CVD (LC50001)
		1	95-0444	INSTR. WRAP AROUND&YARDMORE BLANK OVAL
		20	35094	BOR 5/8" RIM PTD 7'6"R 50 1/4" <i>Bottom -TOP CURV</i>
		6	35097	ART 5/8" RIM PTD 9'0"R STR 37 1/2" <i>Bottom LEGS</i>
		4	35096	BOR 5/8" RIM PTD 9'0"R CRNR 40 1/4" <i>Bottom OF LEGS</i>
		8	10693	ART RIM 5/8" ADAPTER 8 5/8"
		6	16798	STR MIDDLE STAB(NS)SQ STL 9'0"R 33" <i>TOP</i>
		8	16799	STR CENTER STAB(NS)SQ STL 9'0"R 8" <i>TOP</i>
		4	16797	STR CORNER STAB(NS)SQ STL 9'0"R 37" <i>TOP</i>
		24	35078	TOP / BOTTOM PLATE 6" BOREAL
		8	10136	TOP PLATE 4" OVAL
		19	10296	PLASTIC COPING SINGLE 48" FOR METAL STAB
		1		

PACKAGING

	X	1	97-0240B	CARTON-EMPTY 43(6" UPRIGHT 52")B
	X	1	97-0240T	CARTON-EMPTY 43(6" UPRIGHT 52")T

Joiner Parts



Bottom & Top Rail in Curve Joiner Plate



Top Rail 8" Stabilizer



Bottom Joiner Plate
(ART RIM 5/8" adapter)

Use above part for Step 4 - Fig,15 part no.6



Part No. Bottom Joiner Plate **-ARE NOT USED FOR TEAKWOOD POOLS**

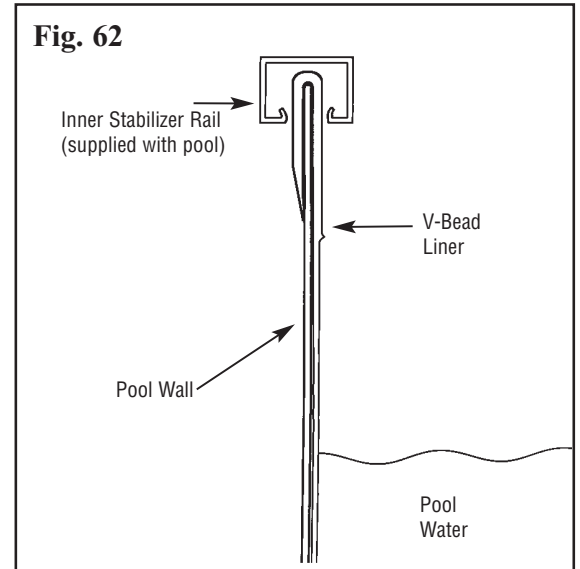
All UK pools are supplied with a J- Bead Liner

STEP 18: HANGING LINER continued

TYPE # 3 – J or V-BEAD LINER:

- With a V-Bead liner you will not use the plastic coping strips that are packed in the parts carton of your pool. You can discard those pieces, if they are included, as they only apply to pools with overlap liners.
- The top of the wall of the liner has what is called a “V-Bead” welded onto it. Simply open up the bead with your fingers and hang it directly on top of the pool wall. When this is done properly, the only portion on the outside of the pool wall is approximately 1” of the V-Bead. No printed liner material is actually going over the top of the wall to the outside of the wall.
- Make sure the bead is on evenly around the entire pool, and that the liner is hanging straight down from the top of the wall. The liner should not have creases in it because it is twisting around the pool. If the liner is twisting, it is because it is not sitting properly in the pool. Make necessary adjustments before proceeding.

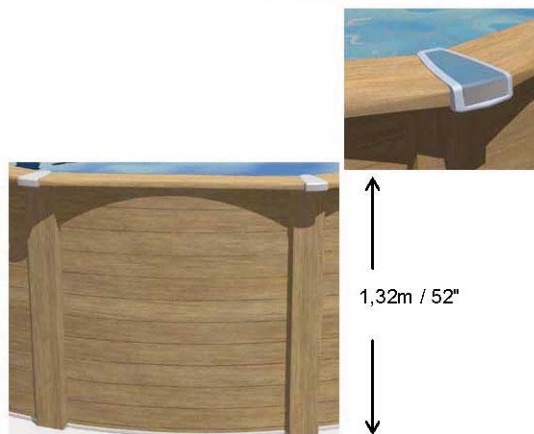
J or V-BEAD LINER



Dealer Comment :- we would advise applying the ‘plastic coping strips’ if you intend to take down the pool after a short period of time or are using the pool for display purposes. Once the top rails have been applied they pinch the liner beading in place and removing them can mark/damage the beading. Applying the plastic coping will protect the beading when the top rails are removed!

STEEL POOL

- 15 cm / 6" top ledges profile design wood board
- 15 cm / 6" uprights
- Hot-dipped galvanized G90 steel
- Teak wood printed frame
- Wall pattern horizontal teak wood design
- **One piece resin ledge cover
- Wide mouth skimmer pre-punched
- Wilbar yardmore oval system



Liner collection - Hung system

Bio Pruf Protection
Fits perfectly all Wilbar Group pools

